

Type:	
Project:	

SVT2 Smoke Vent | Frame Model 870B

SVT2

UL Listed & FM Approved Industrial Smoke Vent

OVERVIEW

Sunoptics® Industrial Smoke Vents are ideal for use in industrial and commercial buildings where emergency smoke evacuation requirements are needed. Sunoptics has multiple smoke vent models and certifications available for your smoke vent needs and location.

The Sunoptics SVT2 UL Listed Smoke Vents are available in single- and double-glazed versions; two lens options; ClearArmour® prismatic polycarbonate options with snow load ratings of 10 and 30 pounds per square foot.

The Sunoptics SVT2 FM Approved model smoke vents are available in single- and double-glazed versions made with ClearArmour® prismatic polycarbonate with a snow load rating of 10 pounds per square foot.

Raising the bar in quality and performance, Sunoptics Smoke Vents are [tested and certified by third-party independent organizations](#) to ensure compliance to safety, quality and performance standards.

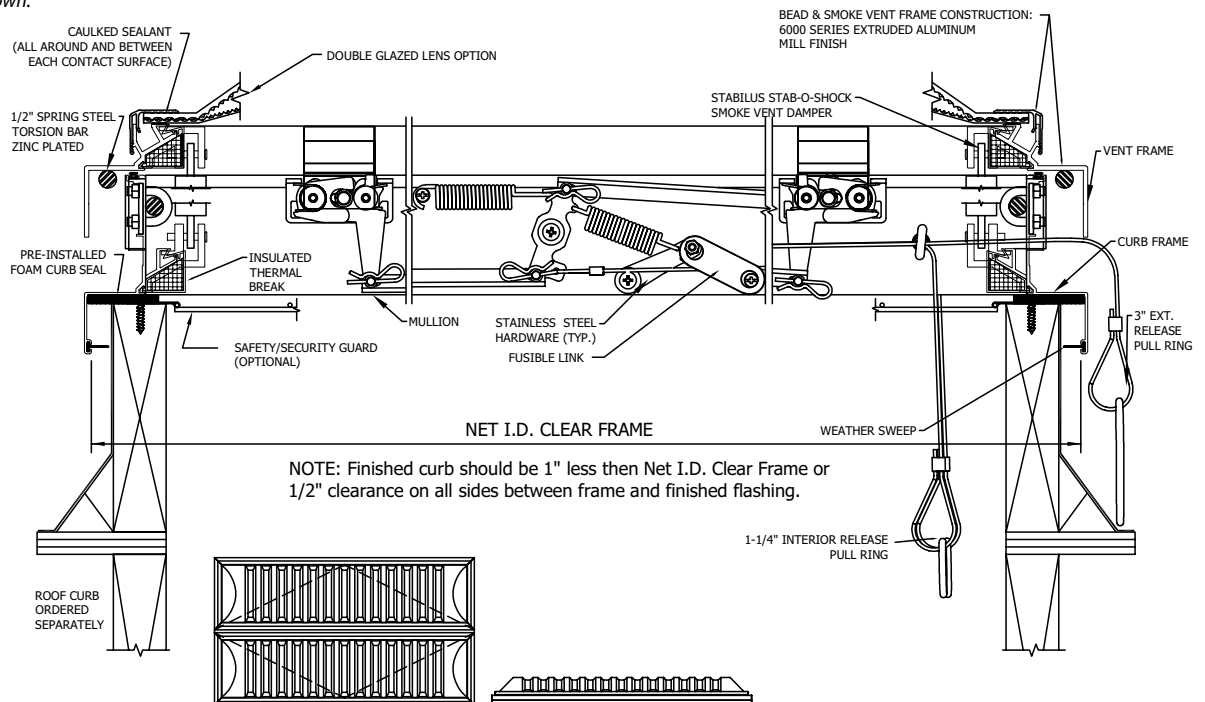


10lb Snow Load Unit Shown

PRODUCT PROFILE

Double-Glazed (DGZ) Profile Shown.

Details Not To Scale.



NOTE: Finished curb should be 1" less than Net I.D. Clear Frame or 1/2" clearance on all sides between frame and finished flashing.

See ID Frame call-outs under Ordering Logic for dimension options.

AVAILABLE CERTIFICATIONS AND LISTINGS

- UL/ULC Listed (US & Canada), Tested and Certified to meet UL/ULC 793 Requirements
- CE Certified
- Factory Mutual (FM) Approval Class Number 4430
- Lens Hail Class Ratings for Class 4 (2" hail resistance)

Warranty: 10-year limited warranty available. Complete warranty terms and conditions located at: www.sunoptics.com

Note: Actual performance may differ as a result of end-user environment and application.

Specifications subject to change without notice.

SVT2- UL Listed & FM Approved Industrial Smoke Vent

TECHNICAL SPECIFICATIONS

FRAME

Sunoptics SVT2 Smoke Vent frame type will be frame series model 870B (curb mounted frame) as manufactured by Sunoptics Skylights and Daylighting Systems, an Acuity Brands Company, 6201 27th Street, Sacramento CA 95822, 916-395-4700.

Smoke Vent frames will be fabricated from 6063 T6 aluminum with a natural mill finish. Frames will have integral condensation and weepage gutters which drain moisture to the outside. Frame corners are mitered and welded. The acrylic or polycarbonate glazing will be fully sealed with a silicone seal.

Note: Multi-glazed units default to include an Insulated Thermal Break (ITBR), Curb Seal Tape, Weather Sweep (WSW) and screws. Single-glazed units do not include these options.

UL LISTED SMOKE VENTS

Sunoptics UL Listed Smoke Vents will be model SVT2 as manufactured by AES Sunoptics, Inc. SVT2 UL Listed Smoke Vent lens shape can be Signature™ Series dome shape lens (SIGL), which are made from ClearArmour® Polycarbonate lenses. SNOW LOAD LIFT IN PSF: 10lb. or 30lb. Maximum size 32 sq. ft.; minimum size 20 sq. ft. See ID Frame Call-Out for specific dimensions.

FM APPROVED SMOKE VENTS

Sunoptics Factory Mutual (FM) Approved Smoke Vents will be Sunoptics model SVT2 as manufactured by AES Sunoptics, Inc.

FM #4430 Approved Smoke Vent are double glazed using ClearArmour® clear prismatic polycarbonate over ClearArmour® high-white prismatic polycarbonate lens, CC1 Rated, in a Signature Series dome configuration. SNOW LOAD LIFT IN PSF: 10lb. only. Must have a minimum 360°F fusible link. Maximum size 5080 (ID 63-1/4" x 99-1/4"); minimum size 4050 (ID 51-1/4" x 63-1/4"). See ID Frame Call-Out for specific dimensions.

FUSIBLE LINK

The smoke vent will operate by a fusible link. The fusible links offered start at a minimum temperature rating of 165-degrees Fahrenheit (165°F / 73.89°C) to a maximum of 386-degrees Fahrenheit (386°F / 196.66°C). In case of a fire, the fusible link will melt at the chosen temperature, releasing the doors via gas shocks. When the smoke vent doors are released, the doors will open to a minimum angle of 90 degrees.

Interior and exterior release pull rings are included to manually open the smoke vent as needed for code inspection and early release for firefighter needs.

LENS SHAPE - INFO - DETAILS

The Signature™ Series lens (SIGL) provides a proprietary prismatic dome design created to capture and distribute more light at low-light levels throughout the day. The sleek and compact lens design offers an efficient way to provide glare-free, full-spectrum daylighting with the Sunoptics industrial smoke vent.

The Double-Hip lens (DHPL) provides an architectural smoke vent option, while providing superior diffusion of daylight through the proprietary prismatic lens. The angle/pitch is approximately 25% of the lens width.

LENS HAIL CLASS RATING

Material Type	Lens Material	Resistance Rating	Hail Size
Polycarbonate	CC1/CC1P125	Class 4	2"

WARNING

Smoke Vents should not be installed in locations with an operating temperature in excess of -75-degrees Fahrenheit (-75°F / -59.44°C) or 180-degrees Fahrenheit (180°F / 82.22°C).

Smoke Vents not for use in harsh, corrosive, marine and high-humidity environmental conditions such as marina, greenhouses, petrol-chemical facilities or other chemicals where the smoke vents may be exposed to such conditions.

Certain airborne contaminants can diminish the integrity of acrylic and/or polycarbonate lenses. Refer to the Acrylic-Polycarbonate Environmental Compatibility Tables located at www.sunoptics.com for suitable uses.

CLEANING PLASTIC LENSES

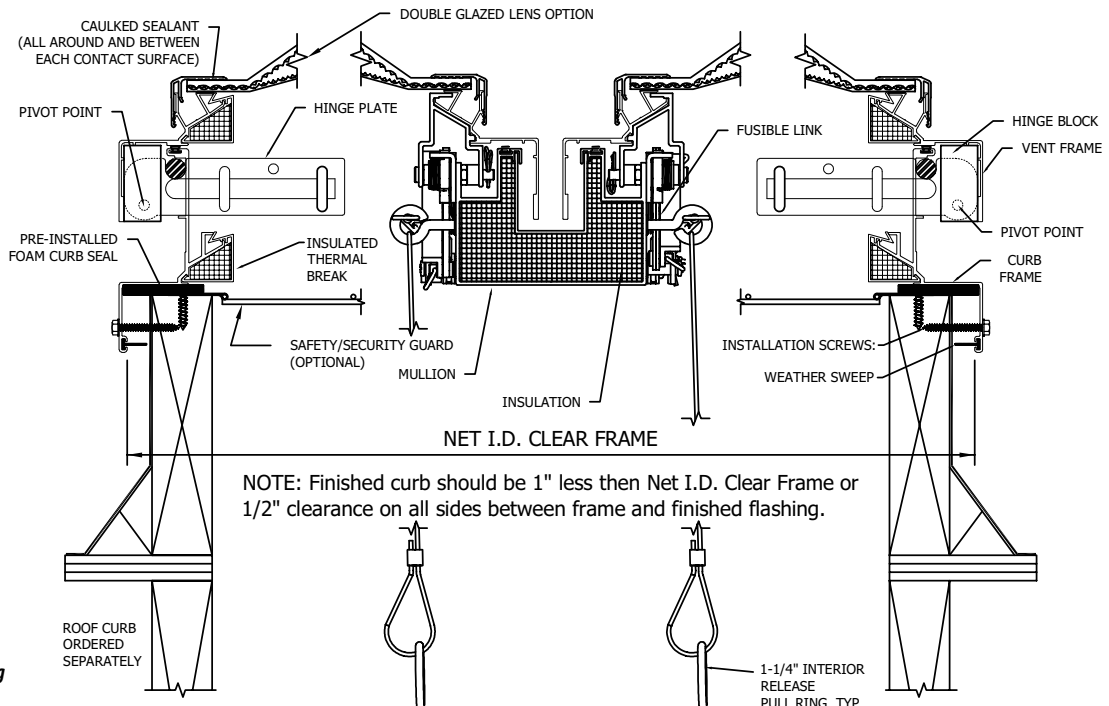
Frequency of cleaning is determined by site conditions. When cleaning polycarbonate lenses, use only water or water with a mild soap. Use a soft rag to minimize scratching the polycarbonate. A pressure washer is acceptable to use as well. Never use ammonia, aromatic or petroleum based products to clean polycarbonate lenses. This will cause deterioration and cracking of the lens and will void the warranty.

Consult factory regarding Smoke Vent installation in locations with operating temperatures in excess of -75°F (-59.44°C) or 165°F (73.89°C).

SIDE PROFILE

Double-Glazed (DGZ) Profile Shown.

Details Not To Scale.



See ID Frame call-outs under Ordering Logic for dimension options.

SVT2- UL Listed & FM Approved Industrial Smoke Vent

ORDERING LOGIC

Example: SVT2 4080 W52.250 L100.250 SIGL DGZ CC1 LENSCLWH 360FL 30LB 870B UL

SERIES	ID Frame Call-Out	ID Frame Width	ID Frame Length	Lens Shape	Glazing	
SVT2	Smoke Vent	4050 51-1/4" x 63-1/4"	W51.250 Width 51.250 inches	L63.250 Length 63.250 inches	SIGL Signature™ Series	SGZ Single Glaze
	4060 51-1/4" x 75-1/4"	W51.250 Width 51.250 inches	L75.250 Length 75.250 inches	DGZ Double Glaze		
	4070 51-1/4" x 87-1/4"	W51.250 Width 51.250 inches	L87.250 Length 87.250 inches			
	4080 52-1/4" x 100-1/4"	W52.250 Width 52.250 inches	L100.250 Length 100.250 inches			
	5060 63-5/8" x 75-5/8"	W63.625 Width 63.625 inches	L75.625 Length 75.625 inches			
	5070 63-1/4" x 87-1/4"	W63.250 Width 63.250 inches	L87.250 Length 87.250 inches			
	5080¹ 63-1/4" x 99-1/4"	W63.250 Width 63.250 inches	L99.250 Length 99.250 inches			

IMPORTANT: Consult Factory for anything outside of minimum or maximum range
 Min/Max Width: 51.250 inches / 67.750 inches
 Min/Max Length: 63.250 inches / 105.750 inches

Glazing Material	Glazing Colors	Fusible Link	Snow Load
CC1 Polycarbonate	LENSWH White (Single Glaze Default)	165FL 165-Degree Fusible Link ⁸	10LB 10-Pound Snow Load (default) 30LB 30-Pound Snow Load ⁸
	LENSWHCL Clear White (Double-Glaze Default) ⁷	212 FL 212-Degree Fusible Link ⁸	
		286FL 286-Degree Fusible Link ⁸	
		360FL 360-Degree Fusible Link (default) ⁹	
		370FL 370-Degree Fusible Link	
		386FL 386-Degree Fusible Link	

Frame Type	Smoke Vent Frame Finish	Options
870B Standard Frame	MI Mill (default)	(blank) No Options
		FMRTG Factory Mutual (FM) Approved ¹⁰
		UL UL Listed Smoke Vent ²
		CE European Standard Certified
		ITBR Insulated Thermal Break ¹¹
		NITBR No Insulated Thermal Break
		WSW Weather Sweep ¹¹
NWSW No Weather Sweep		

Lead times will vary depending on options selected. Consult with your sales representative.

NOTES:

- 1 Maximum size for FM Rated Smoke Vent: 5080 (ID W63-1/4" x L99-1/4")
- 2 Maximum size for UL Listed Smoke Vent: 32 sq. ft. Minimum size, 20 sq. ft.
- 3 Not available with FM Approved Rating
- 4 Available only with Single-Glaze (SGZ) glazing selection
- 5 Available only with Double-Glaze (DGZ) glazing selection
- 6 Not available with FM Approved Unit (FMRTG option)
- 7 Default Fusible Link if not specified
- 8 Maximum size 5080 (ID 52-1/4" x 100-1/4"), 5' x 8'; minimum size 4050 (ID 51-1/4" x 63-1/4"), 4' x 5'.
- 9 Included by default with Double-Glaze (DGZ) unit

