

# External Fall Protection

Skylight Fall Protection



**Model ESFP**

## AVAILABLE CERTIFICATIONS

Designed and tested to comply with OSHA General Industry Standard.

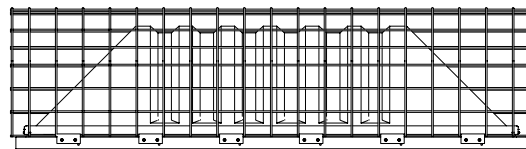
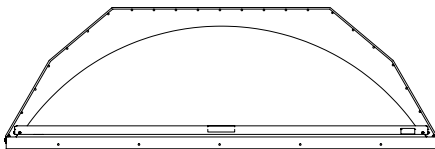
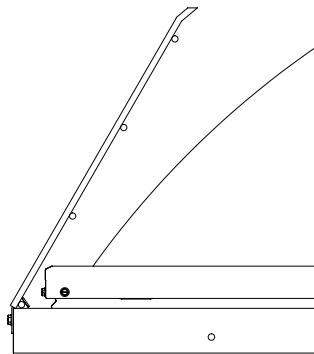
**Warranty:** 10 year and 15 year limited warranty available. Complete warranty terms located at: [www.sunoptics.com](http://www.sunoptics.com)

**Note:** Actual performance may differ as a result of end-user environment and application.

Specifications subject to change without notice.

## PRODUCT PROFILE

*Details Not To Scale*



## SPECIFICATIONS

Safety / Security Guard shall be Sunoptics model ESFP as supplied by AES Sunoptics, Inc.

ESFP (External Skylight Fall Protection) shall be fabricated from 3 gauge (.244" diameter) galvanized steel, 4" maximum on center in both directions, having a 125,000 PSI tensile strength. (Meets OSHA Fall Protection Standards)

All Safety / Security Guards shall be ready for installation. All Guard assemblies shall include Guard, #8 x 1/2" TEK screws and installation clips.

# ORDERING LOGIC

# External Skylight Fall Protection

Fixture		ID Frame Callout	Inside Frame Width		Inside Frame Length		Options	
ESFP	External Skylight Fall Protection	2020	27-1/4" x 27-1/4"	W27.250	27.250"	L27.250	27.250"	(blank) Sunoptics Skylight Frame
		2040	27-1/4" x 51-1/4"	W27.250	27.250"	L51.250	51.250"	PL Competition Skylight Frame
		2080	27-1/4" x 99-1/4"	W27.250	27.250"	L99.250	99.250"	CLPOG Velux Comercial Skylight Frame
		20100	27-1/4" x 123-1/4"	W27.250	27.250"	L123.250 2PCS	123.250"	
		3030	39-1/4" x 39-1/4"	W39.250	39.250"	L39.250	39.250"	
		3050	39-1/4" x 63-1/4"	W39.250	39.250"	L63.250	63.250"	
		3060	39-1/4" x 75-1/4"	W39.250	39.250"	L75.250	72.250"	
		3080	39-1/4" x 99-1/4"	W39.250	39.250"	L99.250	99.250"	
		30100	39-1/4" x 123-1/4"	W39.250	39.250"	L123.250 2PCS	123.250"	
		4040	51-1/4" x 51-1/4"	W51.250	51.250"	L51.250	51.250"	
		4050	51-1/4" x 63-1/4"	W51.250	51.250"	L63.250	63.250"	
		4060	51-1/4" x 75-1/4"	W51.250	51.250"	L75.250	75.250"	
		4070	51-1/4" x 87-1/4"	W51.250	51.250"	L87.250	87.250"	
		4080	52-1/4" x 100-1/4"	W52.250	52.250"	L100.250	100.250"	
		40100	52-1/4" x 123-1/4"	W52.250	52.250"	L123.250 2PCS	123.250"	
		5050	63-1/4" x 63-1/4"	W63.250	63.250"	L63.250	63.250"	
		5060	63-5/8" x 75-5/8"	W63.625	63.250"	L75.625	75.625"	
		5558	67-3/4" x 70-3/4"	W67.750	68.750"	L70.750	70.750"	
		5070	63-1/4" x 87-1/4"	W63.250	63.250"	L87.250 2PCS	87.250"	
		5080	63-1/4" x 99-1/4"	W63.250	63.250"	L99.250 2PCS	99.250"	
50100	63-1/4" x 123-1/4"	W63.250	63.250"	L123.250 2PCS	123.250"			
<p>Use <b>CUST</b> for Custom sized units.  <b>Do not make MASS Valid</b></p>								

Note: 20100, 30100, 40100, 50100, 5070 and 5080 will ship in 2 pieces

