

Curb Top Insert

Curb Mounted Lens Insert



Frame Model 800MD Curb Top Insert CT1

KEY FEATURES

Use with Double Glazed Signature, Pyramid or Double Hip Series Skylight for Better U-Value and Solar Heat Gain Coefficient/Shading Coefficient (SHGC/SC) Properties

AVAILABLE CERTIFICATIONS

FM Approval #4431
High Velocity Hurricane Zone Approved
Class 1, Class 3 and Class 4 Hail Ratings Available (Class 1 Default)

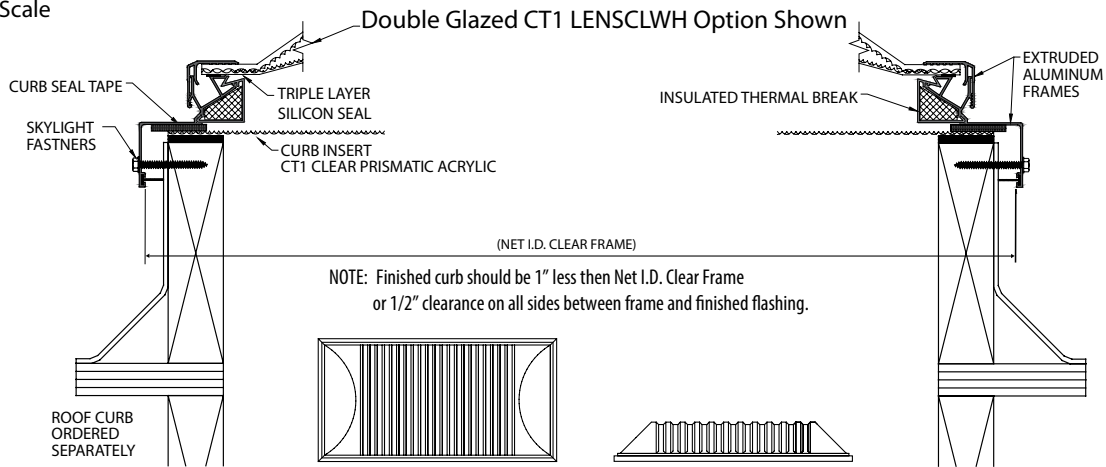
Warranty: 10 year and 15 year limited warranty available. Complete warranty terms located at: www.acuitybrands.com/support/customer-support/terms-and-conditions

Note: Actual performance may differ as a result of end-user environment and application.

Specifications subject to change without notice.

PRODUCT PROFILE

Details Not To Scale



SPECIFICATIONS

Skylights shall be Sunoptics model 800MD (curb mounted) as manufactured by Sunoptics Skylights, 6201 27th Street, Sacramento, Ca. 95822 916/395-4700

Skylights shall be glazed ready for installation.

Skylight frames shall be fabricated from extruded aluminum, finish to be natural mill. Frames shall have integral condensation and weepage gutters which drain interior moisture to the outside. Corners shall be mitered and welded. The glazing shall be separated from the skylight frame with a Silicon Seal.

Skylights shall be Double glazed using 100%, Impact Modified White Prismatic over White Prismatic lens, CC2 Rated, or ClearArmour™ CC1. Rated lenses glazed in a Signature Series, Pyramid or Double Hip Dome configuration.

CT1. A single layer of Prismatic Acrylic shall be supplied to be installed on top of the Curb. The Curb Topper Lens has a size limitation of 32 square feet.

Standard Size Skylights are tested and certified to AAMA/WDMA/CSA101/I.S.2/A440 to comply with section 2405.5 of the International Building Code.

Certain airborne contaminants can diminish the integrity of acrylic and/or polycarbonate lenses. Refer to the compatibility tables for suitable uses on our website.

Skylights not for use in Harsh, Corrosive, Marine and high-humidity Environmental Conditions such as Marina, Greenhouses, Petrol-Chemical facilities or other chemicals where the skylights may be exposed to such conditions.

Type	U-Factor	SHGC
Signature Double Glazed with White CT1	0.36	0.20

Cleaning Acrylic Lenses: Frequency of cleaning is determined by site conditions. When cleaning acrylic lenses, use only water or water with a mild soap. Use a soft rag to minimize scratching the acrylic. A pressure washer is acceptable to use as well. Never use ammonia, aromatic or petroleum based products to clean acrylic lenses. This will cause deterioration and cracking of the lens and will void the warranty.

Skylights should not be installed in locations with an operating temperature in excess of -75° F or 180° F.

▶▶▶

Fixture	Curb Topper Layer	Lens Dimensions	Lens Width	Lens Length
CT Curb Topper Lens	1 Single Layer Curb Topper	1414 17.375" x 17.375"	W17.375 Width 17.375 inches	L17.375 Length 17.375 inches
		2020 26" x 26"	W26 Width 26 inches	L26 Length 26 inches
		2030 26" x 38"	W26 Width 26 inches	L38 Length 38 inches
		2040 26" x 50"	W26 Width 26 inches	L50 Length 50 inches
		2050 26" x 62"	W26 Width 26 inches	L62 Length 62 inches
		2060 26" x 74"	W26 Width 26 inches	L74 Length 74 inches
		2080 26" x 98"	W26 Width 26 inches	L98 Length 98 inches
		20100 26" x 122"	W26 Width 26 inches	L122 Length 122 inches
		2828 33.375" x 33.375"	W33.375 Width 33.375 inches	L33.375 Length 33.375 inches
		3030 38" x 38"	W38 Width 38 inches	L38 Length 38 inches
		3050 38" x 62"	W38 Width 38 inches	L62 Length 62 inches
		3060 38" x 74"	W38 Width 38 inches	L74 Length 74 inches
		3080 38" x 98"	W38 Width 38 inches	L98 Length 98 inches
		4040 50" x 50"	W50 Width 50 inches	L50 Length 50 inches
		4050 50" x 62"	W50 Width 50 inches	L62 Length 62 inches
		4060 50" x 74"	W50 Width 50 inches	L74 Length 74 inches
		4070 50" x 86"	W50 Width 50 inches	L86 Length 86 inches
		4080 51" x 99"	W51 Width 51 inches	L99 Length 99 inches
		5050 62" x 62"	W62 Width 62 inches	L62 Length 62 inches
		5060 62.375" x 74.375" (default)	W62.375 Width 62.375 inches	L74.375 Length 74.375 inches

Options

- CTCLR** Clear Curb Topper Lens
- CTWHT** White Curb Topper Lens

* 32 Square foot size limitation