

Type:	
Project:	

SVT2 Smoke Vent | Frame Model 870B

SVT2

UL Listed & FM Approved Industrial Smoke Vent

OVERVIEW

Sunoptics® Industrial Smoke Vents are ideal for use in industrial and commercial buildings where emergency smoke evacuation requirements are needed. Sunoptics has multiple smoke vent models and certifications available for your smoke vent needs and location.

The Sunoptics SVT2 UL Listed Smoke Vents are available in single- and double-glazed versions; two lens options; ClearArmour® prismatic polycarbonate options with snow load ratings of 10 and 30 pounds per square foot.

The Sunoptics SVT2 FM Approved model smoke vents are available in single- and double-glazed versions made with ClearArmour® prismatic polycarbonate with a snow load rating of 10 pounds per square foot.

Raising the bar in quality and performance, Sunoptics Smoke Vents are [tested and certified by third-party independent organizations](#) to ensure compliance to safety, quality and performance standards.

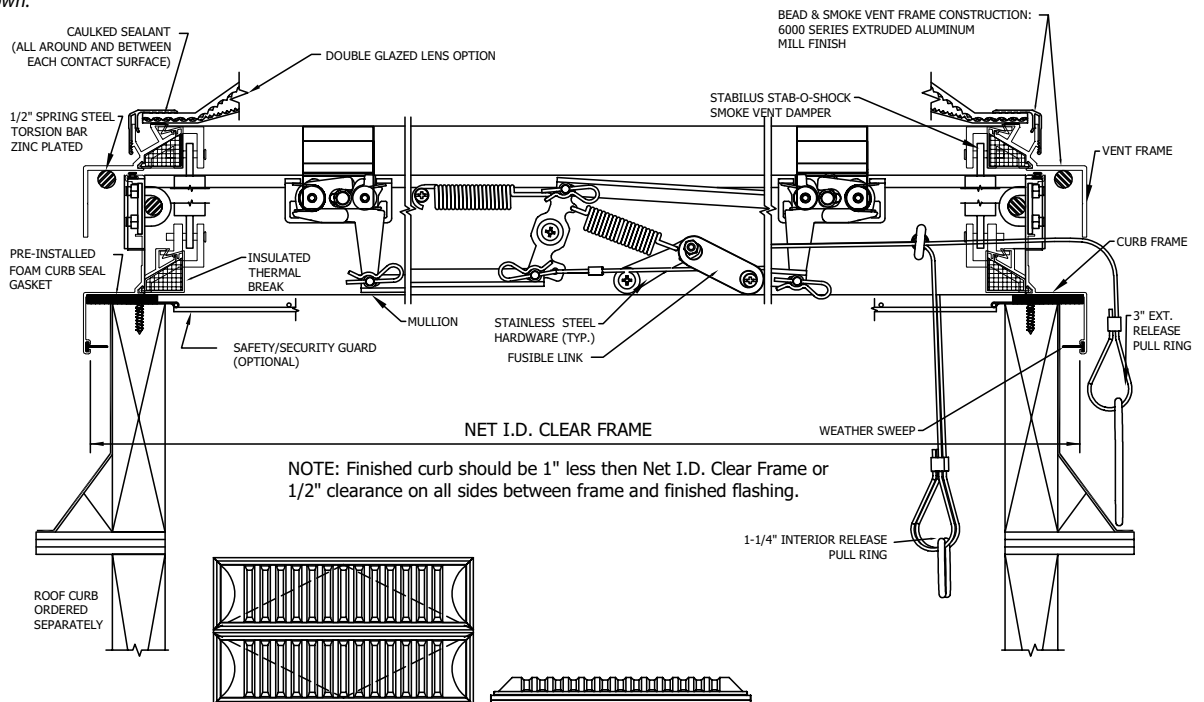


10lb Snow Load Unit Shown

PRODUCT PROFILE

Double-Glazed (DGZ) Profile Shown.

Details Not To Scale.



See ID Frame call-outs under Ordering Logic for dimension options.

AVAILABLE CERTIFICATIONS AND LISTINGS

- UL/ULC Listed (US & Canada), Tested and Certified to meet UL/ULC 793 Requirements
- CE Certified
- Factory Mutual (FM) Approval Class Number 4430
- Lens Hail Class Ratings for Class 4 (2" hail resistance)

Warranty: 10-year limited warranty available. Complete warranty terms and conditions located at: www.sunoptics.com

Note: Actual performance may differ as a result of end-user environment and application.

Specifications subject to change without notice.

SVT2- UL Listed & FM Approved Industrial Smoke Vent

ORDERING LOGIC

Example: SVT2 4080 W52.250 L100.250 SIGL DGZ CC1 LENSCLWH 360FL 30LB 870B UL

SERIES	ID Frame Call-Out	ID Frame Width	ID Frame Length	Lens Shape	Glazing
SVT2 Smoke Vent	4070 51-1/4" x 87-1/4"	W51.250 Width 51.250 inches	L87.250 Length 87.250 inches	SIGL Signature™ Series	SGZ Single Glaze
	4080 52-1/4" x 100-1/4"	W52.250 Width 52.250 inches	L100.250 Length 100.250 inches		DGZ Double Glaze
	5060 63-5/8" x 75-5/8"	W63.625 Width 63.625 inches	L75.625 Length 75.625 inches		
	5558 67-3/4" x 70-3/4"	W67.750 Width 67.750 inches	L70.750 Length 70.750 inches		

Glazing Material	Glazing Colors	Fusible Link	Snow Load
CC1 Polycarbonate	LENSWH White (Single Glaze Default) Clear	360FL 360-Degree Fusible Link (default)	10LB 10-Pound Snow Load (default)
	LENSWHCL White (Double-Glaze Default)	370FL 370-Degree Fusible Link	30LB 30-Pound Snow Load

Frame Type	Smoke Vent Frame Finish	Options
870B Standard Frame	MI Mill (default)	(blank) No Options
		FMRTG Factory Mutual (FM) Approved
		UL UL Listed Smoke Vent

Lead times will vary depending on options selected. Consult with your sales representative.

